

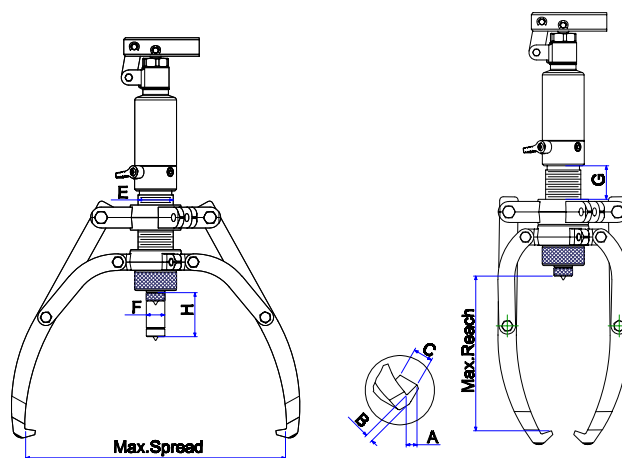
HYDRAULIC PULLERS

BETEX HSP 2/3-arm pullers, **self-centering**, with integrated pump and cylinder



Compact, ergonomic design, easily operated by one person!

- **Practical!**
Self-centering, easy to convert, 2-arm or 3-arm puller. The arms slide inwards or outwards simultaneously.
- **Compact!**
The self contained hydraulic pump and cylinder save space, as you don't need a separate pump, hose or puller.
- **Strong!**
The harder the force, the tighter the jaws grip. The arms cannot bend or deflect.
- **Economical!**
2/3-arm combination puller, 2 pullers for the price of one, including integrated pump and cylinder!
- **Safe!**
The integral safety release valve prevents overloading and ensures that you will never exceed the maximum power capacity.
- **Versatile!**
Various accessories are available. Sets are supplied in practical PE case and consist of a puller block, connecting rods and a set of bearing splitters.



Advantages of self-centering pullers:

- Prevents damage to shaft and workpiece being pulled.
- Efficient and saves time.
- Can be used in any position.
- Adapters included.

4, 6, 8, 12, 20 and 30 ton capacity!

BETEX HSP 2/3 Hydraulic self-centering pullers

For accessory sets see page 16, 17.

Type	Art.no.	Cap. ton	Max. shaft length mm	Max. spread mm	Stroke mm	A mm	B mm	C mm	D mm	E mm	F mm	G mm	Weight Kg
HSP 43*	791500	4	190	325	60	13	10	22	-	40	42	22	8.0
HSP 63*	792500	6	230	380	70	13	10	22	-	50	45	23	10.0
HSP 83*	793500	8	280	450	85	13	13	27,5	-	70	50	25	12.0
HSP 123*	794500	12	305	485	85	15	16,5	29	-	70	60	28	15.0
HSP 203**	796500	20	365	570	111	20	27	33	-	62	80	40	25.0
HSP 303**	797500	30	465	680	111	20	27	38	-	85	98	50	36.0

* Incl. safety net ** incl. safety blanket

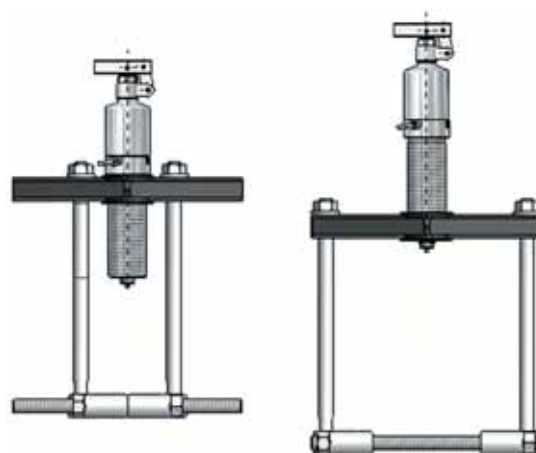
ACCESSORY SETS

BETEX Bearing splitters

This accessory set consists of:

- 1 puller block
- 2 connecting rods (legs)
- 1 set of bearing splitters for a min./max Ø 25-225 mm

You can use the cylinder from the HP/HSP/HXP series.

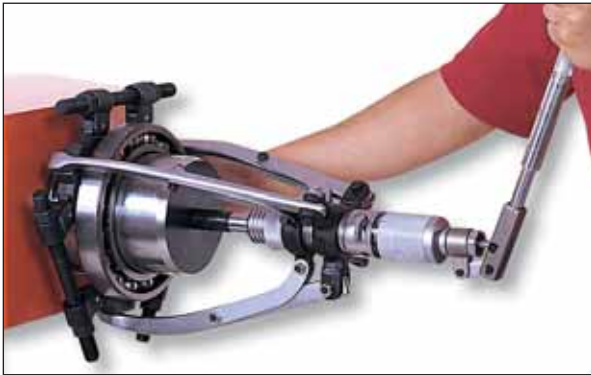


ACCESSORY SETS FOR 4, 6, 8, 12 TON PULLERS HP, HSP, HXP, HPP

Type	Art.no.	Cap. ton	Shaft length mm	Min/max Spread mm	Weight kg
Acc. Set HP 43, HSP 43	791100	4	250	Ø 15-110	8.5
Acc. Set HP 63, HSP 63,	792100	6	280	Ø 25-150	12.5
Acc. Set HP 83, HSP 83, HXP 83	793100	8	280	Ø 40-150	12.5
Acc. Set HP 123, HSP 123, HXP 123, HPP 123	794100	12	325	Ø 45-225	18.0

ACCESSORY-SETS

BETEX Tri-section plates



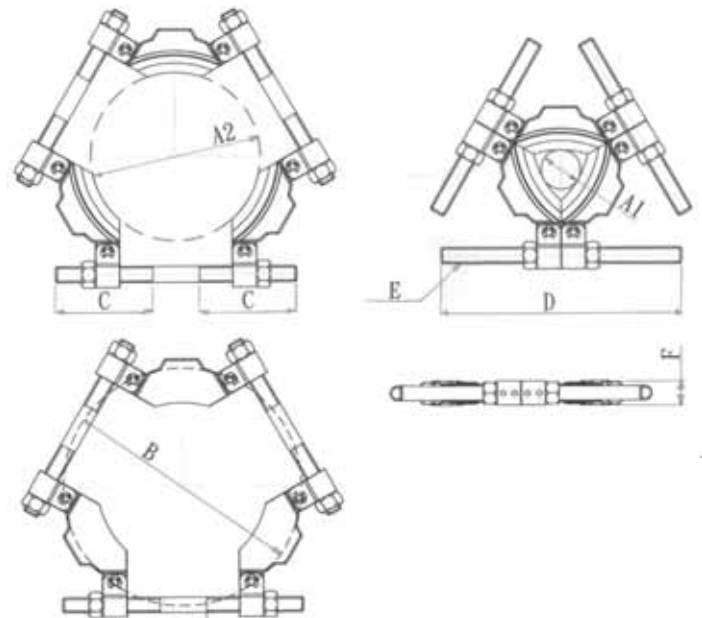
Easy to use

The tri-section plates are specially designed to be used in conjunction with the three-armed pullers. The unique and patented swivel design creates maximum spread and applies even force at the most efficient point. The plates grip behind the inner and outer rings of the bearing, preventing the pulling force from being transmitted through the moving parts, minimizing the risk of bearing damage.

User-friendly

- Unique, patented swivel design creates maximum spread.
- The tri-section construction provides even-force distribution, preventing bearings from locking and/or tilting on the shaft during removal.
- Suitable for use in conjunction with all three-armed hydraulic pullers.
- Available in a wide range, covering the most common shaft sizes.

The Tri-section plate series consist of 4 different sizes of tri-section plates that are suitable for shafts of max. Ø ranging from 50 to 495 mm (2" to 19.5").



Use in combination with

Tri-section 160: HP/HSP 43, 63
 Tri-section 210: HP/HSP 63, 83
 Tri-section 340: HP/HSP/HXP 83, 123, 203, HPP 123
 Tri-section 495: HP/HSP/HXP 203, 303

Typ	Art.no.	Cap. ton	Available shaft diam		Spread B (mm max)	C mm	D mm	E	F mm	Weight kg
			A1 mm	A2 mm						
Tri-section 160	791160	6	26	160	216	105	240	5/8"-11UNC	8	3.5
Tri-section 210	791210	8	50	210	280	115	285	3/4"-16UNF	31	5.5
Tri-section 340	791340	20	90	340	460	170	430	7/8"-14UNF	45	16.5
Tri-section 495	791495	30	140	495	660	240	600	1"-14UNF	61	41